



Lluís Companys, 13 - 15
08339 Vilassar de Dalt,
Barcelona, España

Tel. +34 937 509 431
www.daumar.com
sales@daumar.com

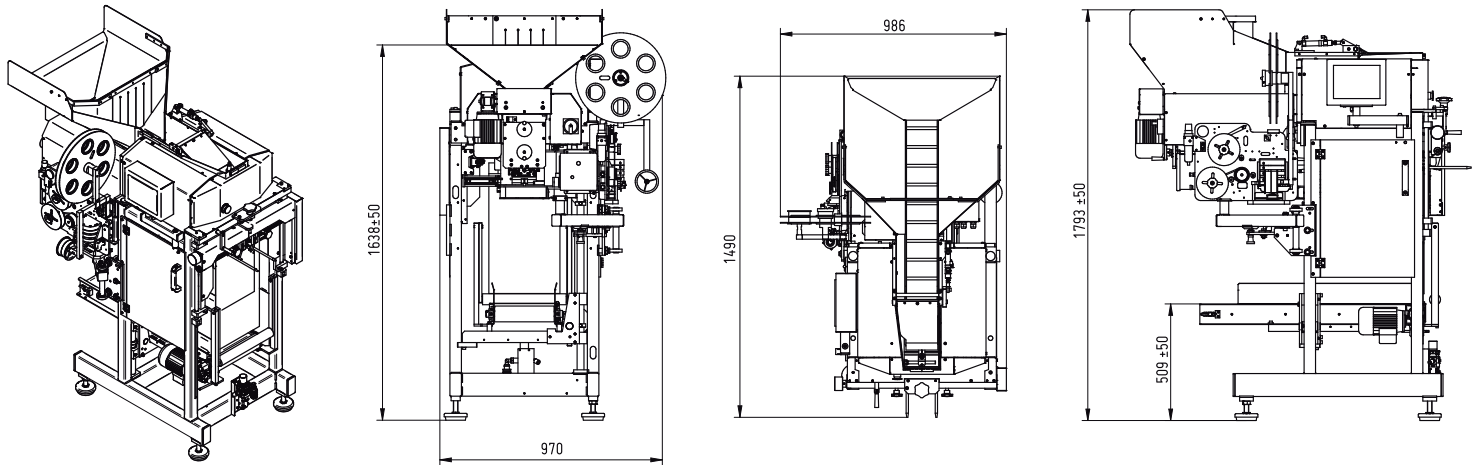
CB-67

Automatic
Wicket Bagger



- › The CB-67 is a new generation Wicket bagger.
- › Reliable bag picks up with poly and poly/mesh style bags.
- › Easy to operate and maintain.
- › Ideal for pack weights ranging from 1,5 Kg. – 10 Kg. / 3 to 20 lbs. depending on the product to be packaged.
- › Speeds of up to 28 bags per minute* (depending on the product to be packaged).





CB-67 >

**Positive
Bag Pick-Up**

**Adjustable
Wicket Bars**

**Modern
Electronics**

**Easy to
maintain**

CB-67 works with:

- > New **Tornado** type bag pick up for positive suction.
- > Fully adjustable wicket bars.
- > 4-way bag clamps.
- > Designed to be used with Kwik Lok 865A closing machine.
- > Latest Technology of electronics for more control.
- > In feed conveyor with oscillating hopper eliminates bridging.
- > Great for poly and poly/mesh style bags.

