

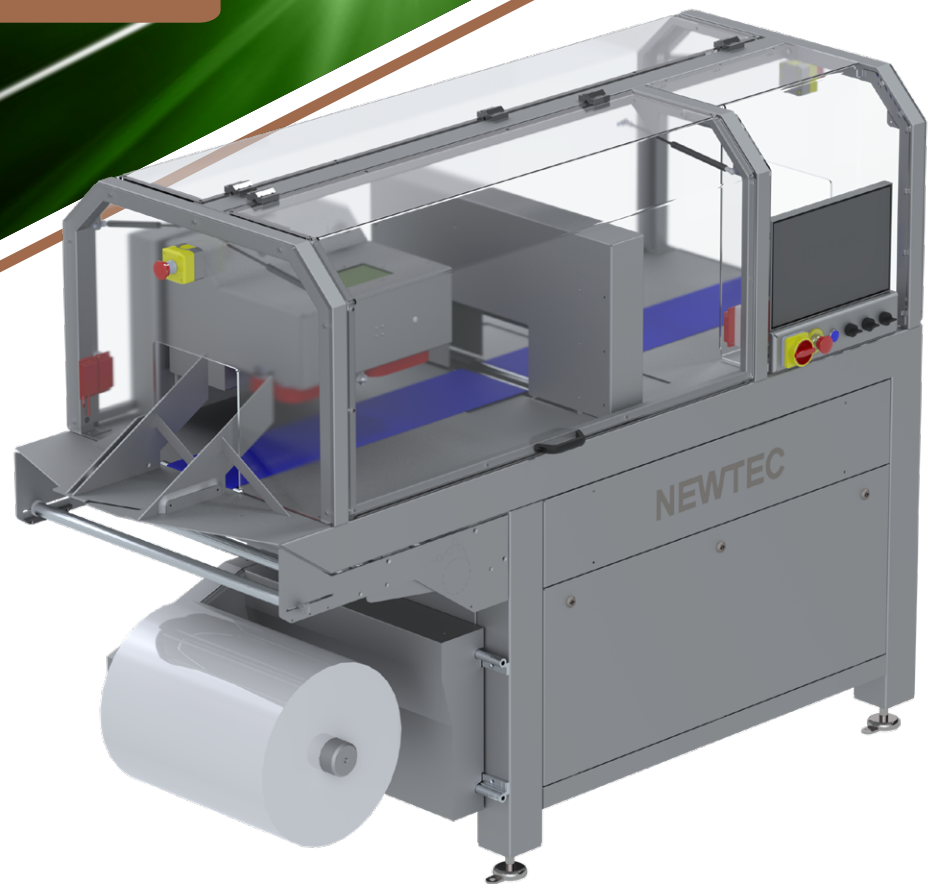


NEWTEC

# LASER FLOW WRAPPER

## FlowPack700

SUSTAINABLE  
PACKING  
FOR THE FUTURE



## Cost-efficient laser sealing of ultra thin film

### Advantages

- Complies with the EU2025 plastic targets
- Sustainable solution – minimum use of film
- High capacity – up to 80 punnets per minute
- Easy adjustment for different punnet sizes
- Ready-to-use, no sealing jaws to heat
- Fast return on investment

### Application

- Products packed in ultra thin film (down to 10µm)
- Potatoes • Carrots • Similar fruits and vegetables



WEBSERVICES AVAILABLE  
FOR REMOTE SERVICING

# PACKING MACHINE Laser FlowPack700

**NEWTEC**

Maintain your competitive edge with superior laser technology

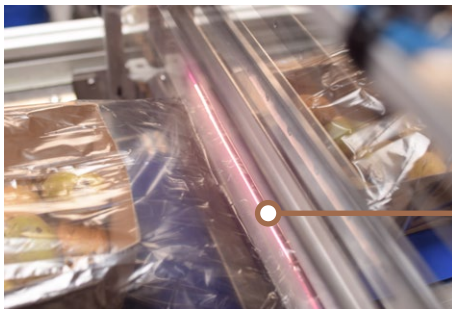


## YOUR ADVANTAGES

- Laser flow wrap in ONE operation
- Fully automatic, just select job on screen
- Reliable and easy to maintain
- Smooth and fast operation
- No sealing jaws, no fused plastic
- Fast return on investment

**FAST RETURN  
ON INVESTMENT**

**LASER WELDING**



Laser sealer for ultra thin film

## SUSTAINABILITY

- Complies with the EU2025 plastic targets
- Reduced plastic consumption – meet the new standards
- Better material utilisation – less material waste
- Very thin film (down to 10µm)

**REDUCE NUMBER OF DAILY ROLL CHANGES  
AT 60 PACKS/MIN. 8 HOURS / DAY**

10 µm film	1 roll change/day
15 µm film*	2 roll changes/day

\*At 15µm / 5550m film approx. 4.5h of operation for 250 mm long products

## PUNNETS PER MINUTE

### Capacity

250 g	Up to 80* portions / min.
500 g	Up to 70* portions / min.
1000 g	Up to 65* portions / min.
1500 g	Up to 60* portions / min.

\*Depending on punnet size

## FULLY AUTOMATIC FLOW WRAPPER

<b>Capacity</b>	Up to 80 units / min.
<b>Film size</b>	Up to 700 mm
<b>Punnet size</b>	W: max. 200 mm H: max. 115 mm
<b>Material</b>	According to the EU/FDA rules on food contact materials
<b>Air requirement</b>	
<b>Min. pressure</b>	6 bar (0.6 Mpa)
<b>Consumption</b>	150 NL/min.
<b>Electrical requirement</b>	1P+N+PE 13A. 300ma RCD
<b>Environment</b>	5°C – 40°C
<b>Weight</b>	Approx. 400 kg.

