

intelligent
weighing
solutions

MHP 1200

Semi-automatic combination scale

Efficiency increase in the packaging process



Reduction of giveaway also to less than 1%



ROI within 3-12 months



Profit maximization



MHP 1200 Semi-automatic combination scale

With the MHP 1200 combination scale, empty small punnettes of medium-sized fruit and vegetables can be filled manually with minimal giveaway.

This semi-automatic weighing solution enables pre-filled or empty packs to be filled up to the desired target weight with minimal giveaway. The overweight of your punnettes will be significantly reduced to less than 1%. The LED indicators shows the workers quickly and easily with which of the available products the packaging can be completed with the minimum giveaway. The packaging speed will be significantly increased. Both resources and time can be saved. The efficiency of your production increases.

In combination with the TopControl software, all weight data and staff times are recorded and flexibly evaluated.

TopControl
statisticsWeights

TopControl
fruitManager



User registration

The worker logs on to the terminal via an RFID chip.

Control display

This is used to process the entered job.

Weighing belts:

Calculates the perfect combination to keep the giveaway as low as possible.

LED

Shows the calculated, optimal weight combination.

HIGHLIGHTS



Maximum packaging speed



Profit maximization



ROI within 3-12 months



Minimisation of the work steps



Reduction of the giveaway to less than 1%



Robust and hygienic design in stainless steel
- IP65



Intuitive touch display



Flexible use



Efficient staff time recording with integrated RFID reader



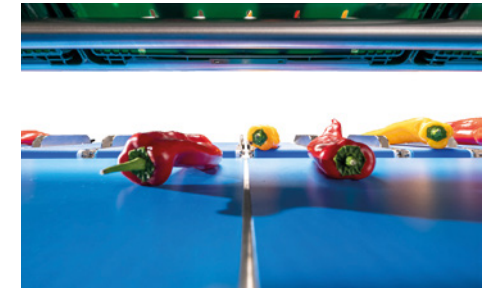
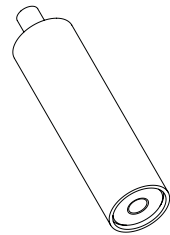
Optimal integration in the TopControl software for data registration and analysis

TECHNICAL PROPERTIES

MULTIHEAD PROCESSING SYSTEM WITH 10 SCALES

Load capacity/division:	3 kg/1 g
Operating mode	combination/mixed products
Display	Colour LCD touch display 7 inches
System interface	Ethernet 10 Base T, TCP/IP, RS 232, RS 422
Protection class	IP65
Unit design	compact and modular - structure in stainless steel
(!) Non-verifiable scales - for internal use	

Model	weighing belt [mm]	Crate tray		Inclined	+50	+50 Inclined	Back-edged	Front edge	Back-edged - inclined	Foot extension 120 mm
		Drip tray	without							
MHP 1200	105x400	x	x	x	x	x	x	x	x	x
	105x250	x	x	x						x



Weighing belts

The weigh belts for the MHP 1200 are available in lengths of 250 mm and 400 mm. The required length depends on the product. The calculated combination is automatically conveyed further

Foot extension

Ergonomic foot extensions allow the combination scale to be adapted to the workers and thus ensure more comfortable working throughout the entire working time.

The right working height allows the workers to be faster and to tire later.

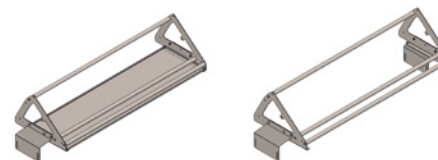
The foot extension allows for an additional height of 120 mm.

Ergonomic storage for boxes

In order to ensure fast and optimised work, optional, ergonomically adapted crate trays can be mounted on the combination weigher. The incoming products can be placed on these. The settings enable a comfortable working method that has been thought through as a whole. The workers always have the full boxes at hand.

Conveyor belt

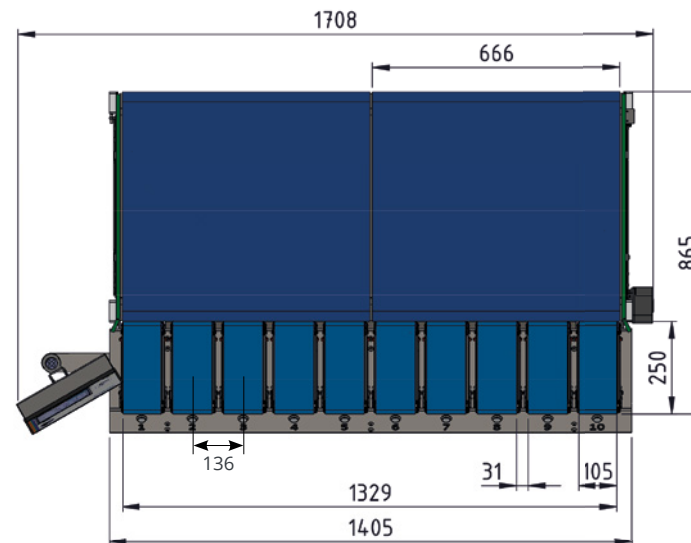
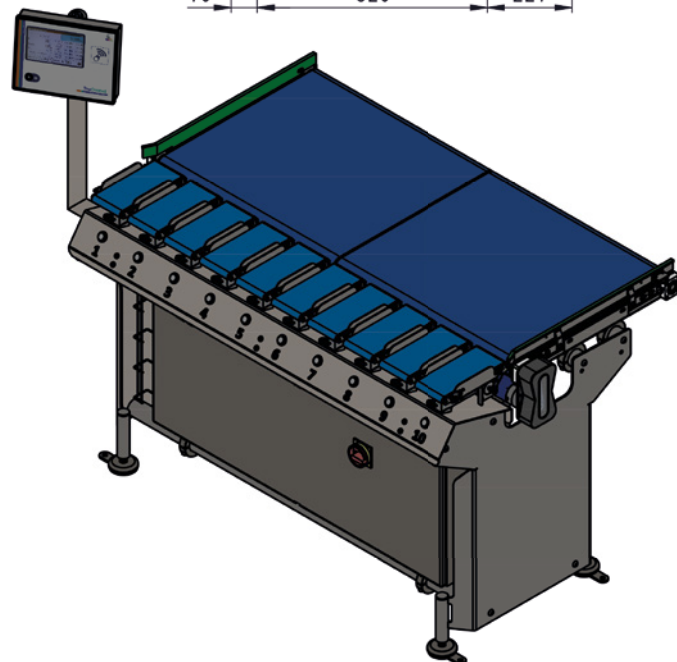
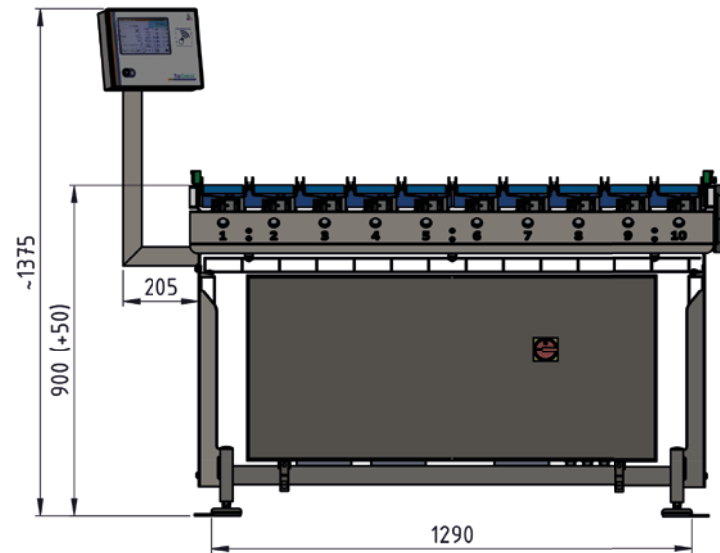
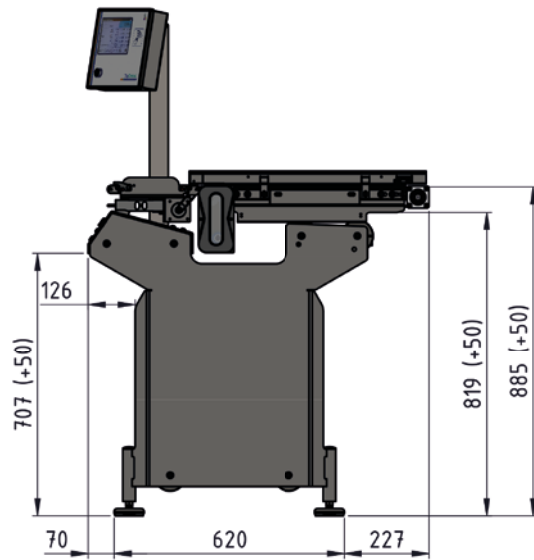
The right combination of products is transferred from the weighing belts to the conveyor belt from where they are filled into the trays by a worker. In this way, the products are dispensed in a suitable bundle. Depending on requirements, the conveyor belt can also be supplied at an angle.



MHP 1200

Combination scale **105x250** - without storage for boxes

Technical drawings



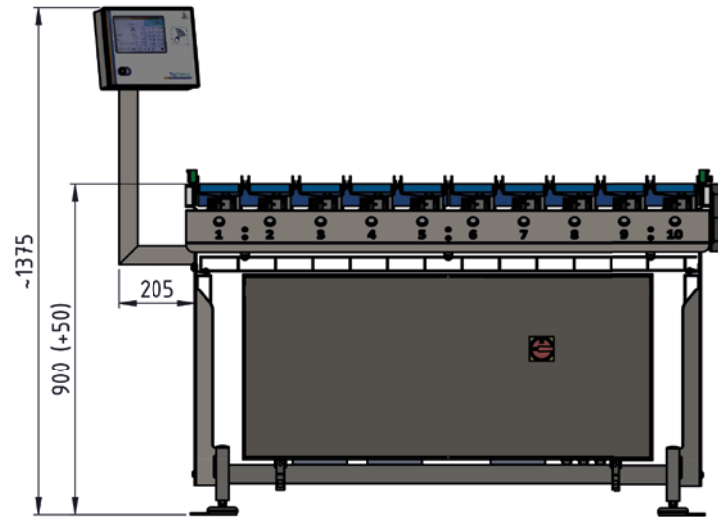
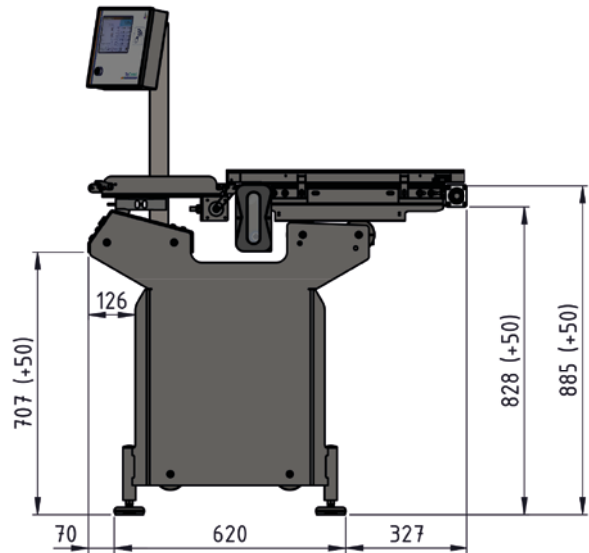
Optimised for medium-sized vegetables and fruit, cheese, meat and fish.



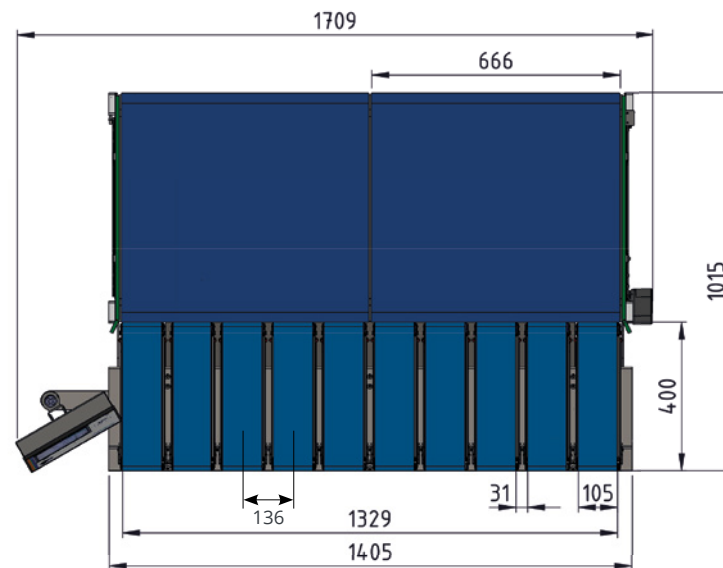
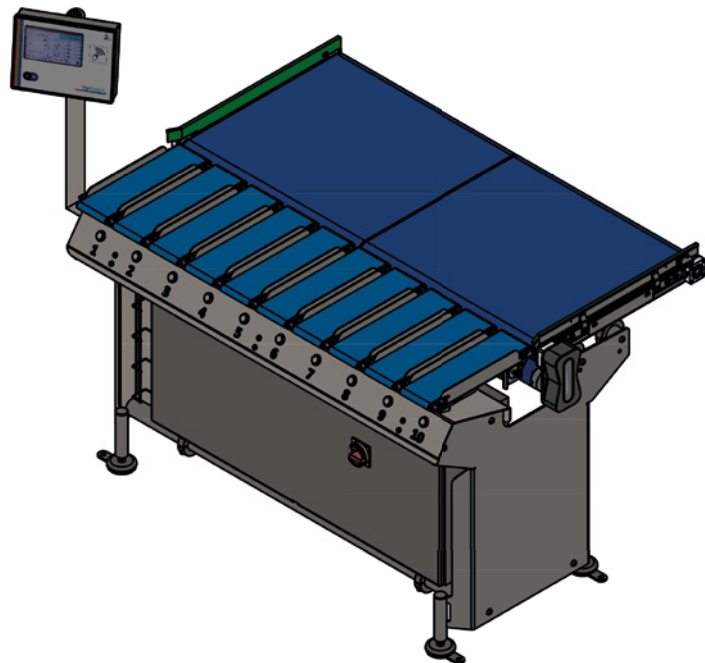
*ergonomically height-adjustable with the optional foot extension, an additional 120 mm height is possible

MHP 1200 combination scale 105x400 - without storage for boxes

Technical drawings



Optimised for medium-sized vegetables and fruit, cheese, meat and fish.

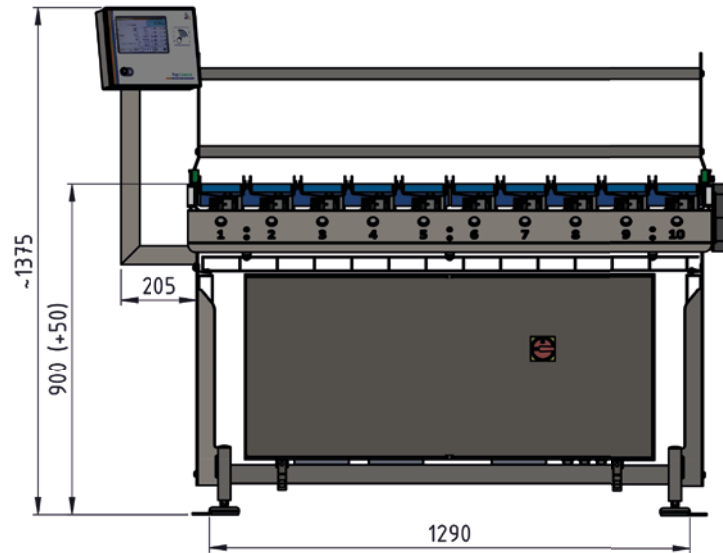
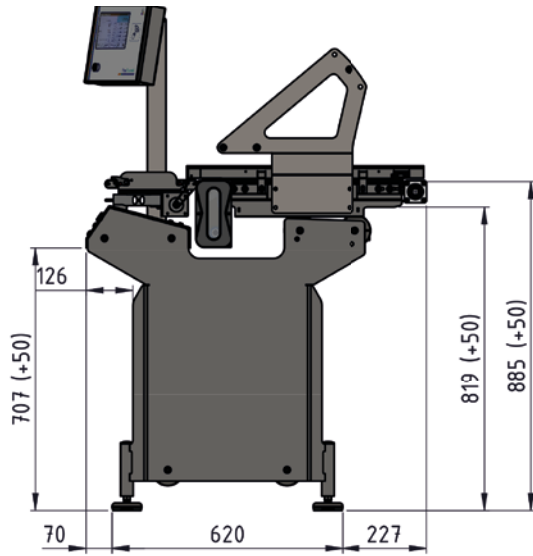


*ergonomically height-adjustable with the optional foot extension, an additional 120 mm height is possible

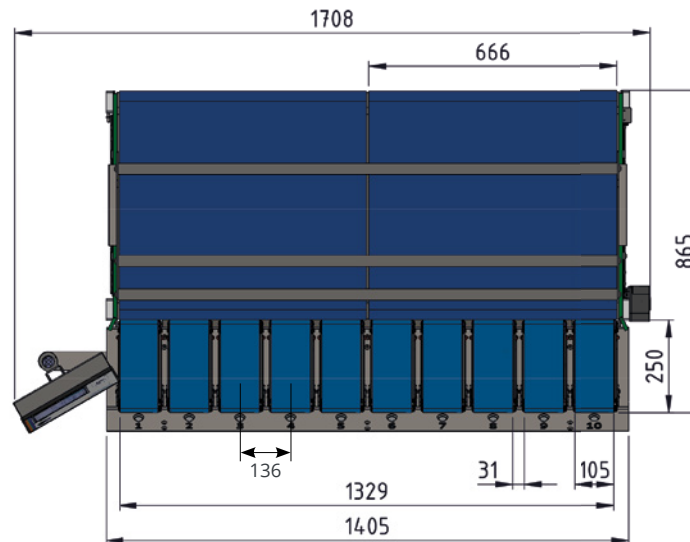
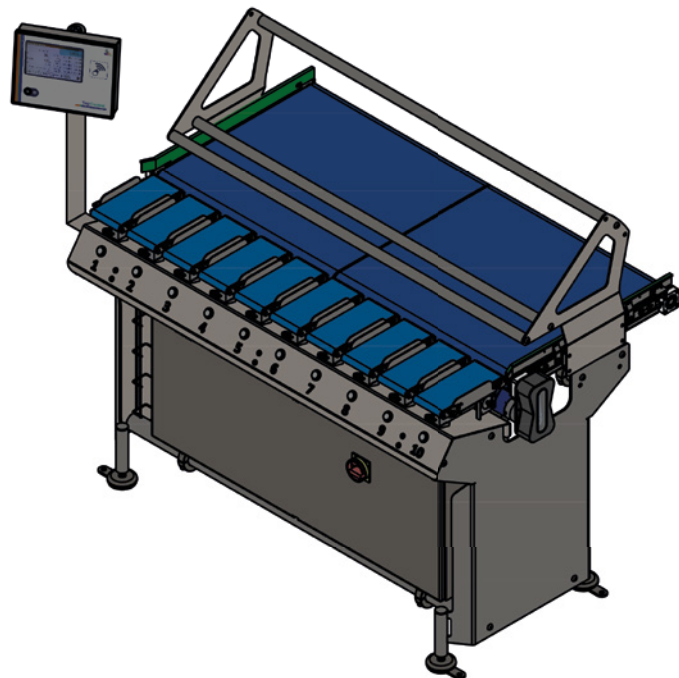
MHP 1200

Combination scale **105x250** - with storage for boxes

Technical drawings



Optimised for medium-sized vegetables and fruit, cheese, meat and fish.



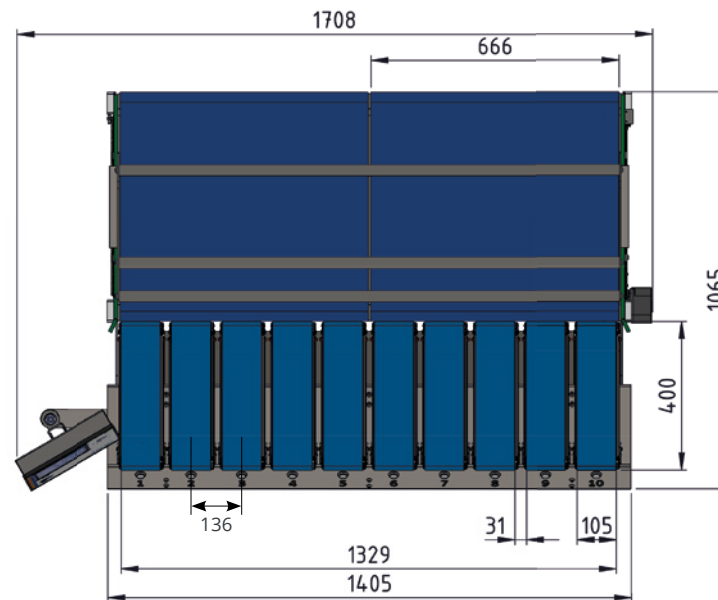
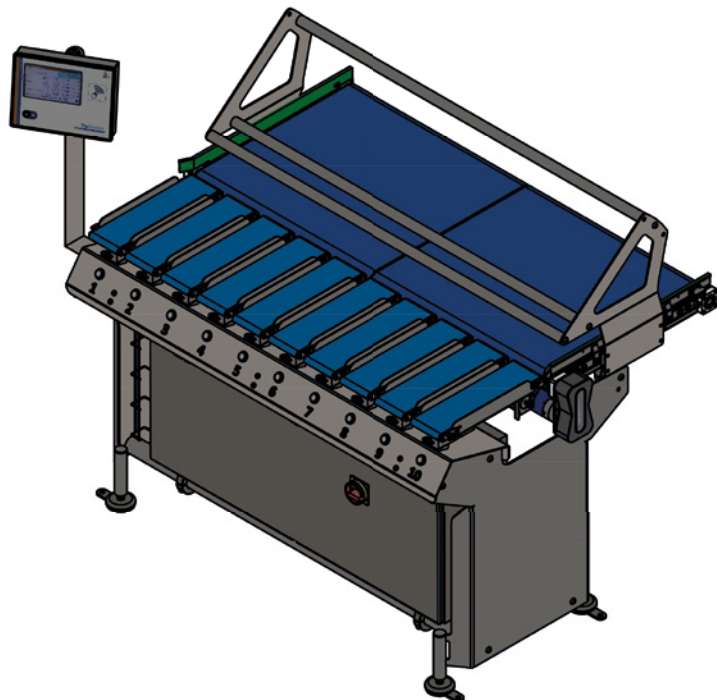
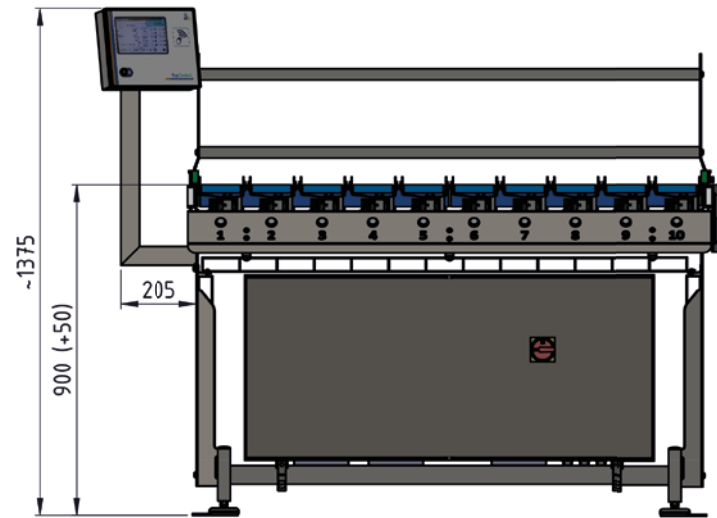
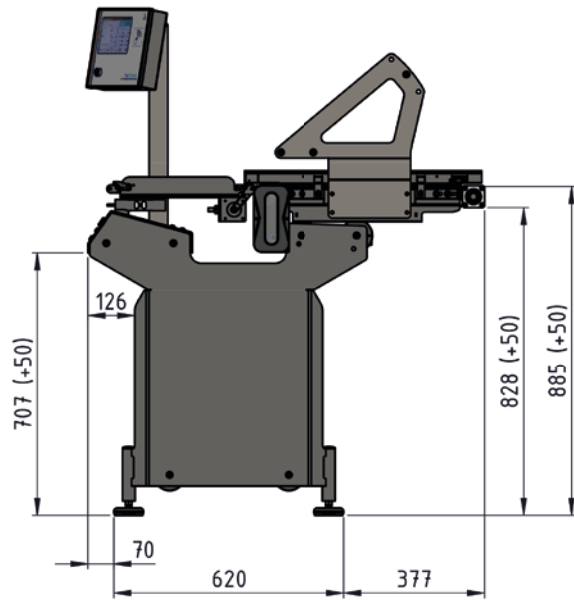
*ergonomically height-adjustable with the optional foot extension, an additional 120 mm height is possible

MHP 1200

Combination scale **105x400** - with storage for boxes

Technical drawings

Optimised for medium-sized vegetables and fruit, cheese, meat and fish.

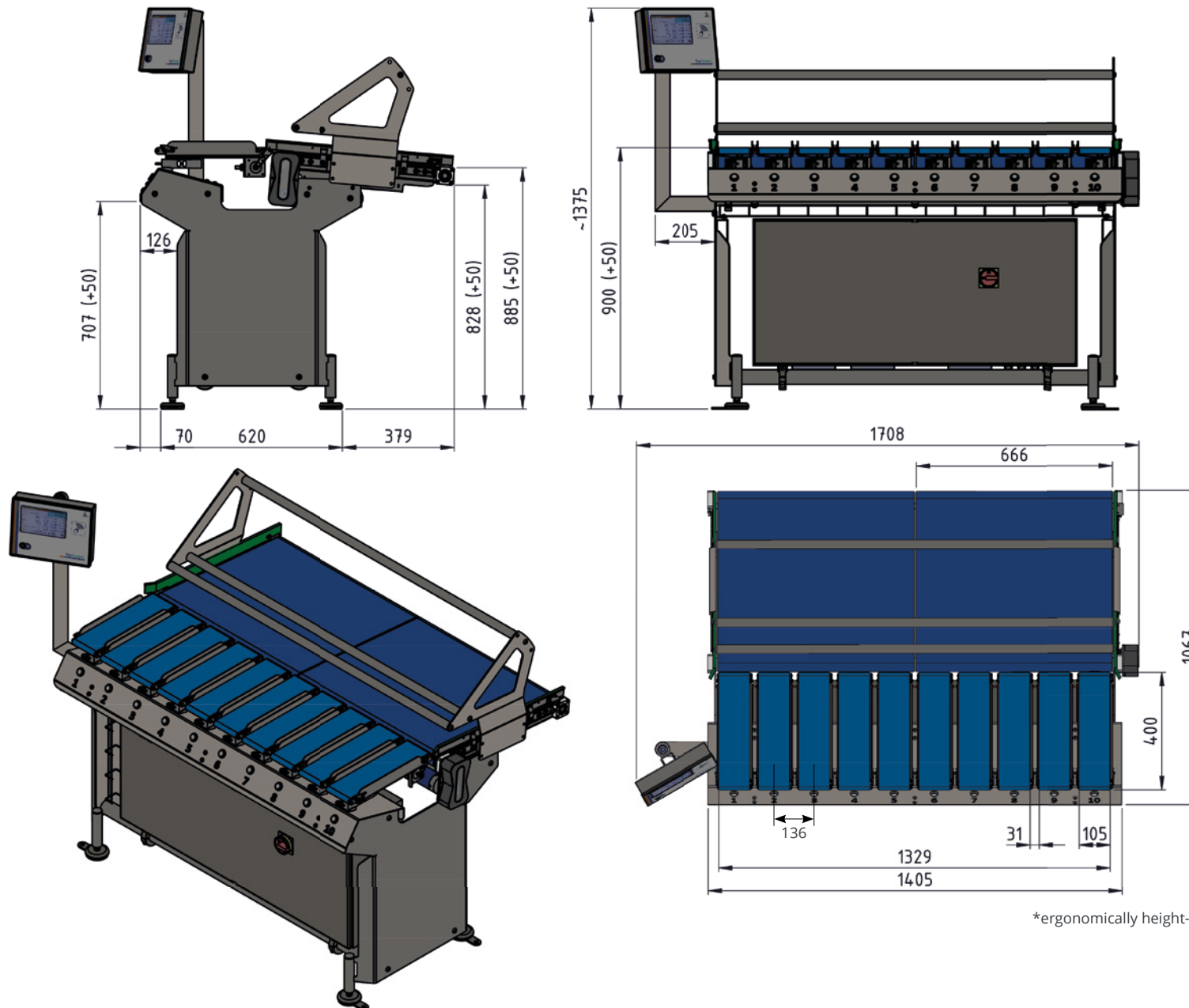


*ergonomically height-adjustable with the optional foot extension, an additional 120 mm height is possible

MHP 1200

Combination scale **105x400** - with storage for boxes - inclined conveyor belt

Technical drawings



Optimised for medium-sized vegetables and fruit, cheese, meat and fish.

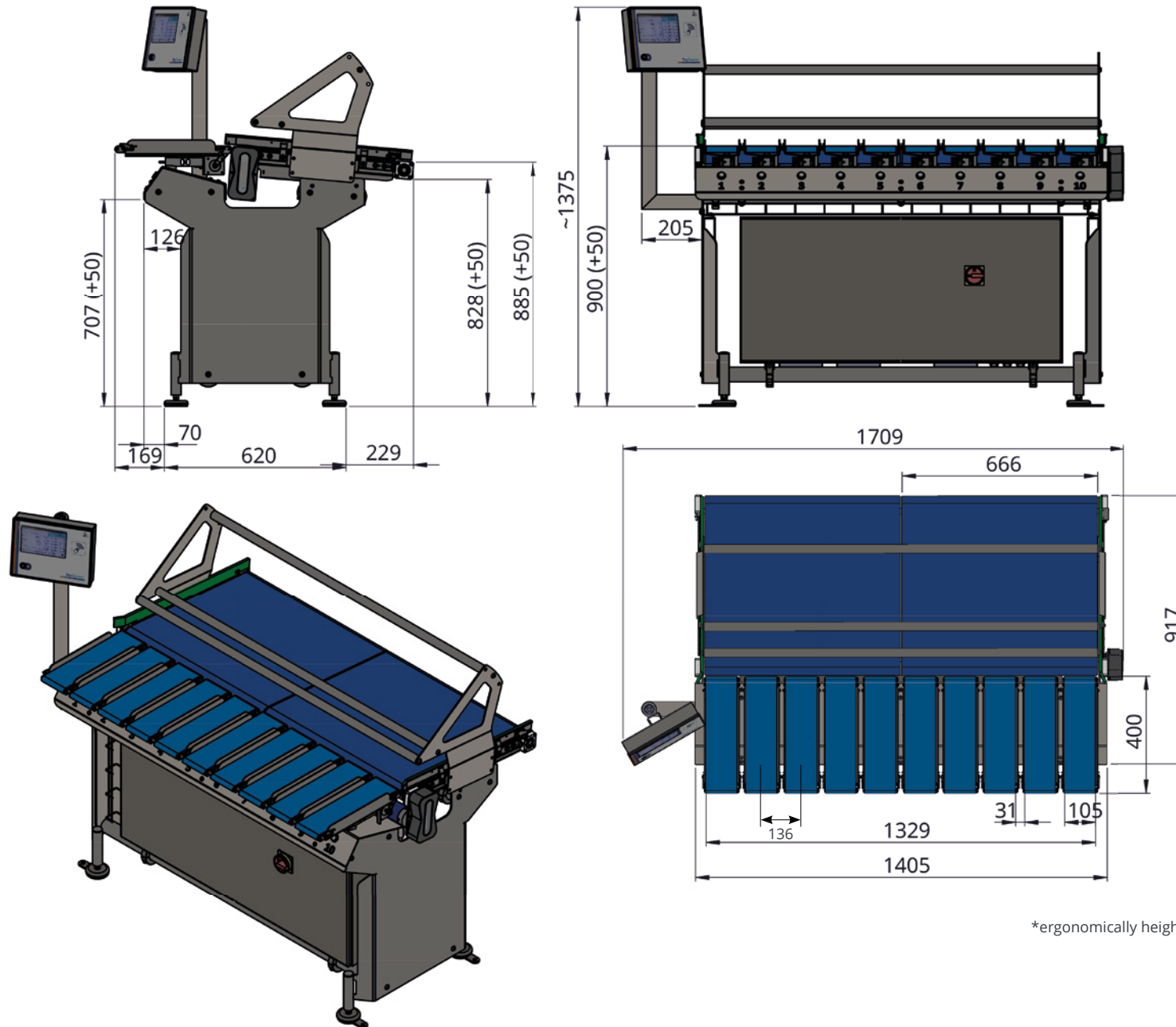


*ergonomically height-adjustable with the optional foot extension, an additional 120 mm height is possible

MHP 1200

Combianton scale 105x400 - with storage for boxes

Technical drawings



Optimised for medium-sized vegetables and fruit, cheese, meat and fish.



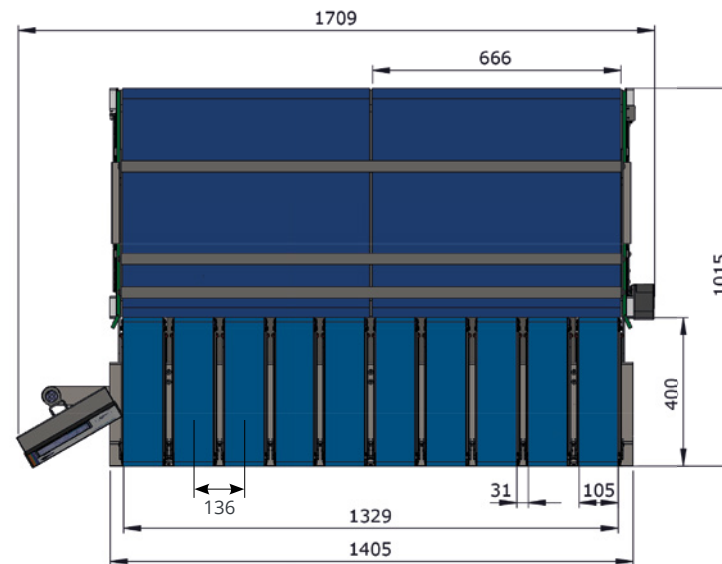
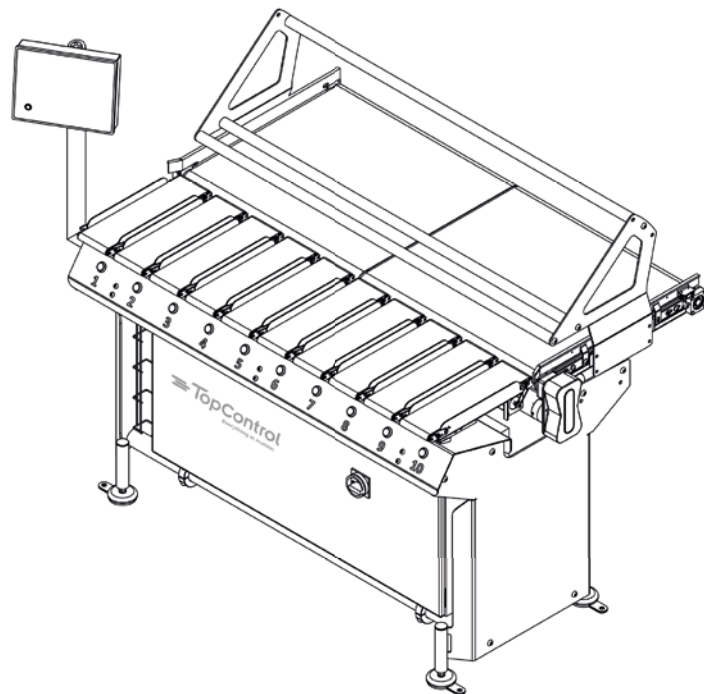
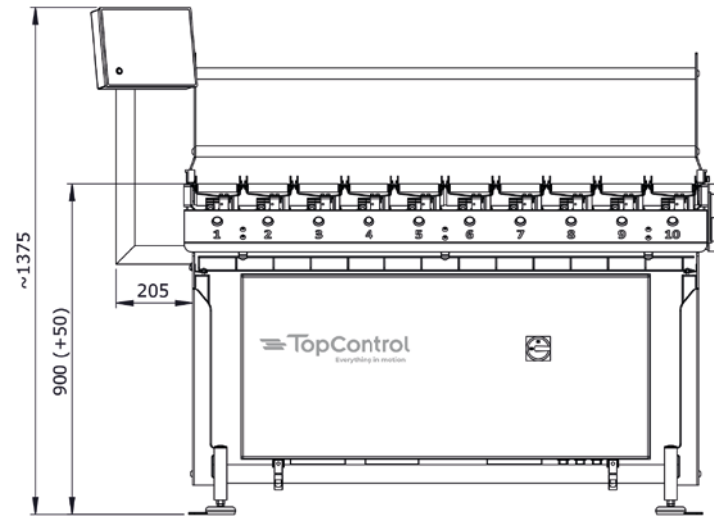
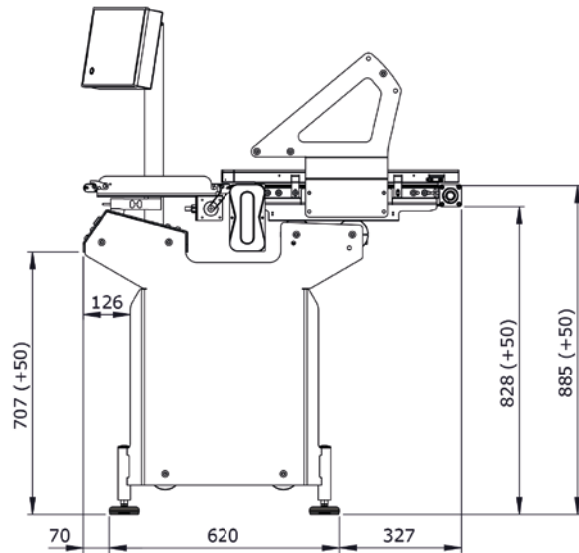
*ergonomically height-adjustable with the optional foot extension, an additional 120 mm height is possible

MHP 1200

Combination scale **105x400** - with storage for boxes - inclined conveyor belt

Technical drawings

Optimised for medium-sized vegetables and fruit, cheese, meat and fish.



*ergonomically height-adjustable with the optional foot extension, an additional 120 mm height is possible



SSC 9200
Levelling scale



RSC 9200
Removal scale



IWS 3000
Smart weighing table



MHP 1000
Combination scale



MHP 1200
Combination scale



MHP 1300
Combination scale



MHP 2000
Combination scale



MHP 2100
Combination scale



MHP 3000
Combination scale



MHP 5200
Automatic multibelt scale



CWT 1000
Automatic checkweigher



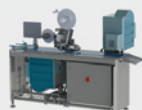
CWT 500
Automatic checkweigher for transport packaging



ST A500B
Automatic checkweigher for transport packaging



ST EPW310
Dynamic scale for bags



GLM-B-S
High-performance labeller



ILS 3000
Labeller for transport packaging



GLT maxx 9000
Labeller for transport packaging



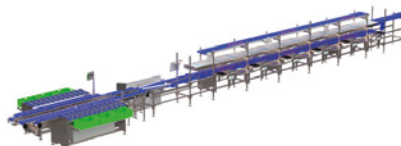
GPH maxx 7-8-9000
Pallet labeller



ILS 3800
Pallet labeller



ICS 1000
Automatic gluing machine for carton packs



IPS: Line with 4 levels and front weighing tables and MHP 3000 semi-automatic combination scale

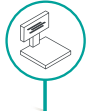


IPS: Line with 4 levels and front weighing tables, automatic checkweigher and labeller



IPS small: Line with 2 levels and front weighing tables and automatic checkweigher

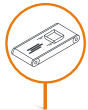
intelligent weighing solutions



intelligent labelling solutions



intelligent packaging solutions



smart software solutions

