



intelligent  
weighing  
solutions

 **TopControl**  
Everything in motion



MHP 2100  
**Multihead  
processing system**

Maximum packagint speed



Profit maximization



ROI within 3-12 months



Suitable for containers (cartons, IFCO, Europool, CHEP etc.)



# MHP 2100 Multihead processing system

The multihead processing system MHP2100 processes prefilled containers of fruit, vegetables, meat, fish and cheese to ensure a minimal giveaway amount.

The weighing scales on the MHP2100 are manually loaded by an operator to add the final piece to the prefilled containers for automatic weight optimization.

With two scales installed into the infeed belt, the MHP2100 can determine the missing product amount or the missing product combination totals in real time. The operator only needs to observe the green LED-indicator to reach the defined target weight.

The MHP2100 is a flexible weighing system that, in addition to a standard weighing mode for a completed product also has options for weighing on a conveyor belt, combination weighing and throughput. The MHP2100 offers a significant increase in efficiency in the packaging process. The optimal combination of the products reduces the giveaway to a minimum while the packaging speed is improved with minimal personnel deployment. This noticeably reduces costs and increases profits.

Connected with the TopControl software StatisticsWeights all weights and staff times are completely recorded, for efficient evaluation and reporting.



## HIGHLIGHTS



Maximum packaging speed



Profit maximization



ROI within 3-12 months



Suitable for transport packaging (cartons, IFCO, Europool, CHEP etc.)



Minimisation of the work steps



Maximum reduction of the giveaway



Flexible use



Also more than 25 packs/minute



Packing according to WELMEC 6.4/e for pre-packed goods



Robust and hygienic design in stainless steel - IP65



Intuitive touch display



Efficient staff time recording with integrated RFID reader

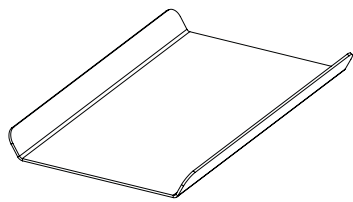


Optimal integration in the TopControl software for data registration and analysis

## TECHNICAL PROPERTIES

COMBINATION SCALE	8 OR 10 WEIGHING TRAYS
Weighing range/division	3 kg/1 g - 6 kg/2 g
Scale in infeed conveyor	Tragkraft/Teilung: 15 kg/5 g – 30 kg/10 g
Max. punnet size (L x W)	600 x 400 mm
Operating modes	Completion weighing on infeed belt combination throughput
Transport direction	right-left or left-right
Display	Colour LCD touch display 7 inch
Interfaces	Ethernet 10 Base T, TCP/IP, RS 232, RS 422
Protection	IP65
Unit design	compact and modular structure in stainless steel
(!) Non-verifiable scales - for internal use	

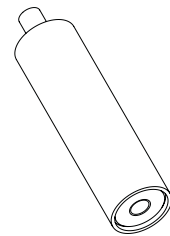
Version	Weighing trays	Direction		Storage for boxes	Foot extension 120 mm
		left-right	right-left		
MHP 2100 with 10 weighing trays	10 psc - 250x100 mm (LxB)	x	x	x	x
MHP 2100 with 8 weighing trays	8 psc - 250x140 mm (LxB)	x	x	x	x



## Weighing trays

The 10 weighing trays of the MHP 2000 are available with the dimensions 250 x 140 mm (L x W). These are used to calculate the optimum weight with the minimum giveaway.

With the version MHP 2100 10 you get 10 weighing trays with a size of 250x100 mm.



## Foot extension

Ergonomic foot extensions allow the combination scale to be adapted to the workers and thus ensure more comfortable working throughout the entire working time.

The right working height allows the workers to be faster and to tire later.

The foot extension allows for an additional height of 120 mm.



## Ergonomic storage for boxes

In order to ensure fast and optimised work, optional, ergonomically adapted crate trays can be mounted on the combination weigher. The incoming products can be placed on these. The settings enable a comfortable working method that has been thought through as a whole. The workers always have the full boxes at hand.



## Product support

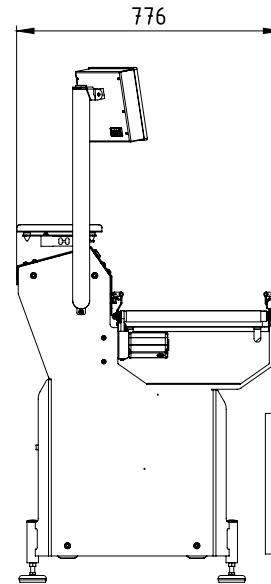
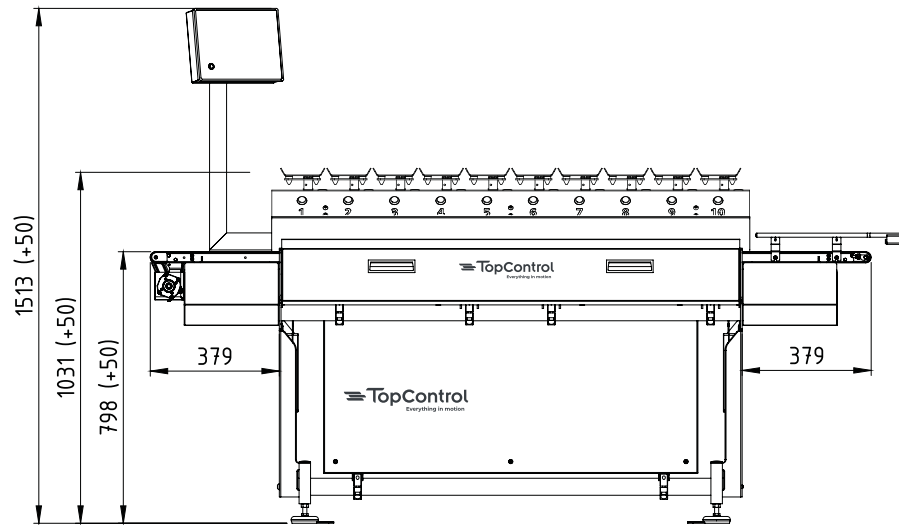
In order to ensure fast and optimised working, an optional, ergonomically adapted product support can be mounted on the combination weigher.

The incoming products can be placed on it. The settings enable a comfortable working method that has been thought through as a whole. The workers always have the full boxes at hand.

# MHP 2100

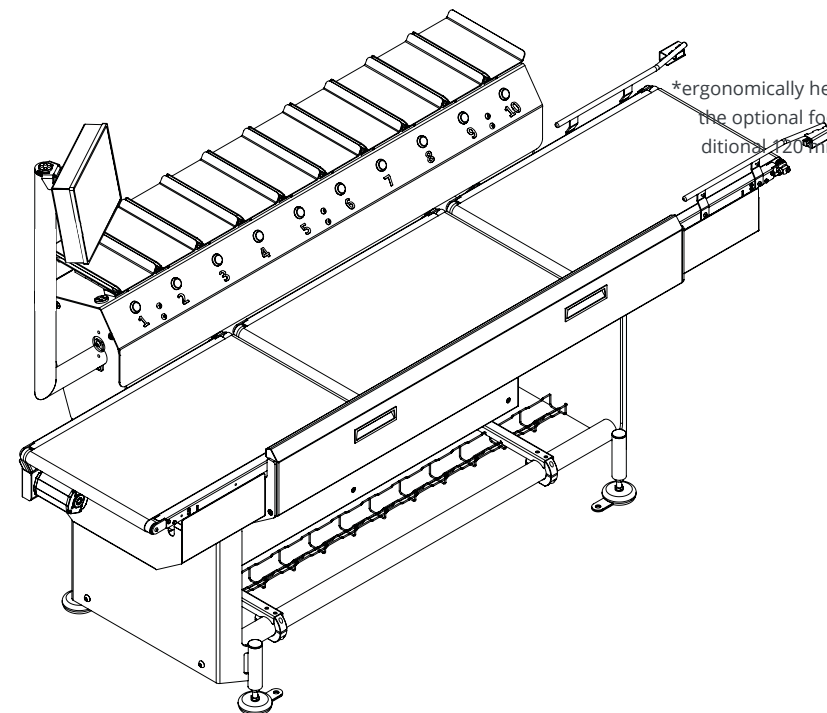
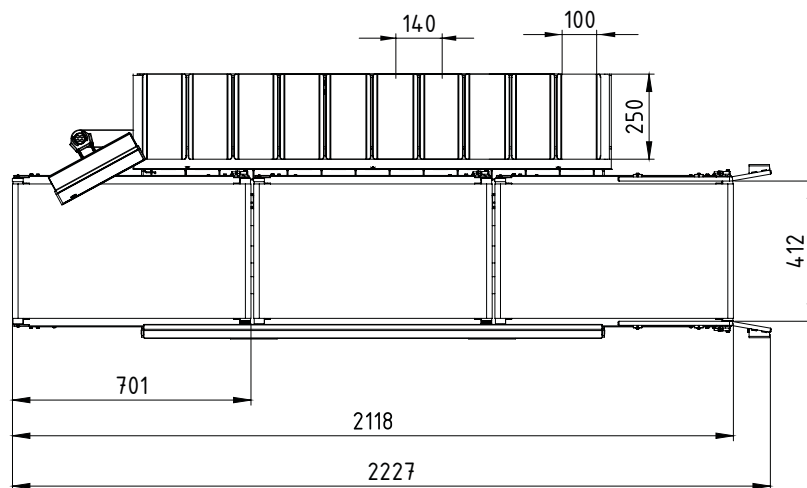
Combination scale 10 weighing trays

## Technical drawings



Kistengröße max.	600 x 400mm
Dimensioni casse max.	600 x 400mm
Box size max.	600 x 400mm
Dimensiones cajas máx.	600 x 400mm
Dimensions caisses max.	600 x 400mm

Optimised for medium-sized vegetables and fruit, cheese, meat and fish.

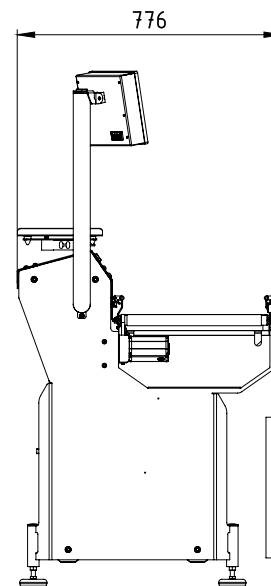
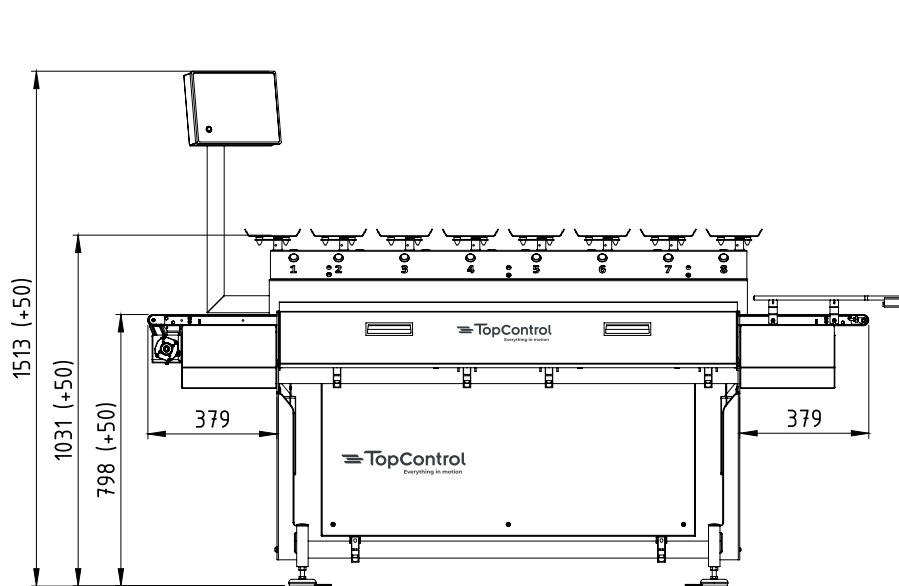


\*ergonomically height-adjustable with the optional foot extension, an additional 120 mm height is possible

# MHP 2100

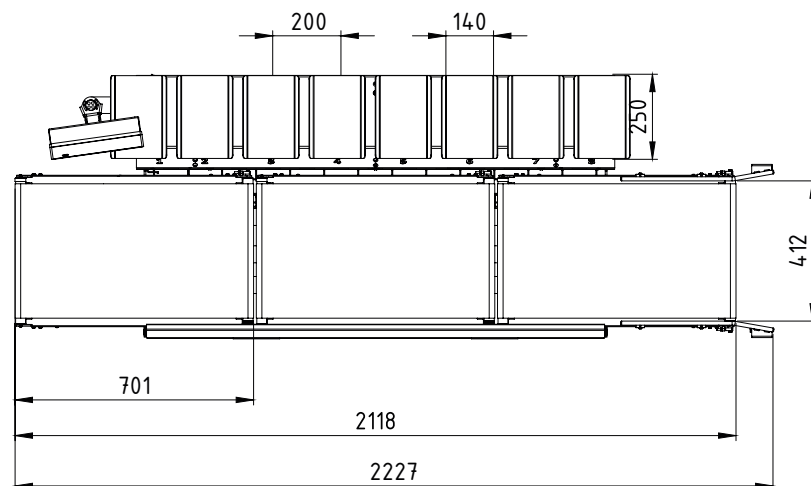
Combination scale 8 weighing trays

## Technical drawings



Kistengröße max.	600 x 400mm
Dimensioni casse max.	600 x 400mm
Box size max.	600 x 400mm
Dimensiones cajas máx.	600 x 400mm
Dimensions caisses max.	600 x 400mm

**Optimised for** medium-sized vegetables and fruit, cheese, meat and fish.

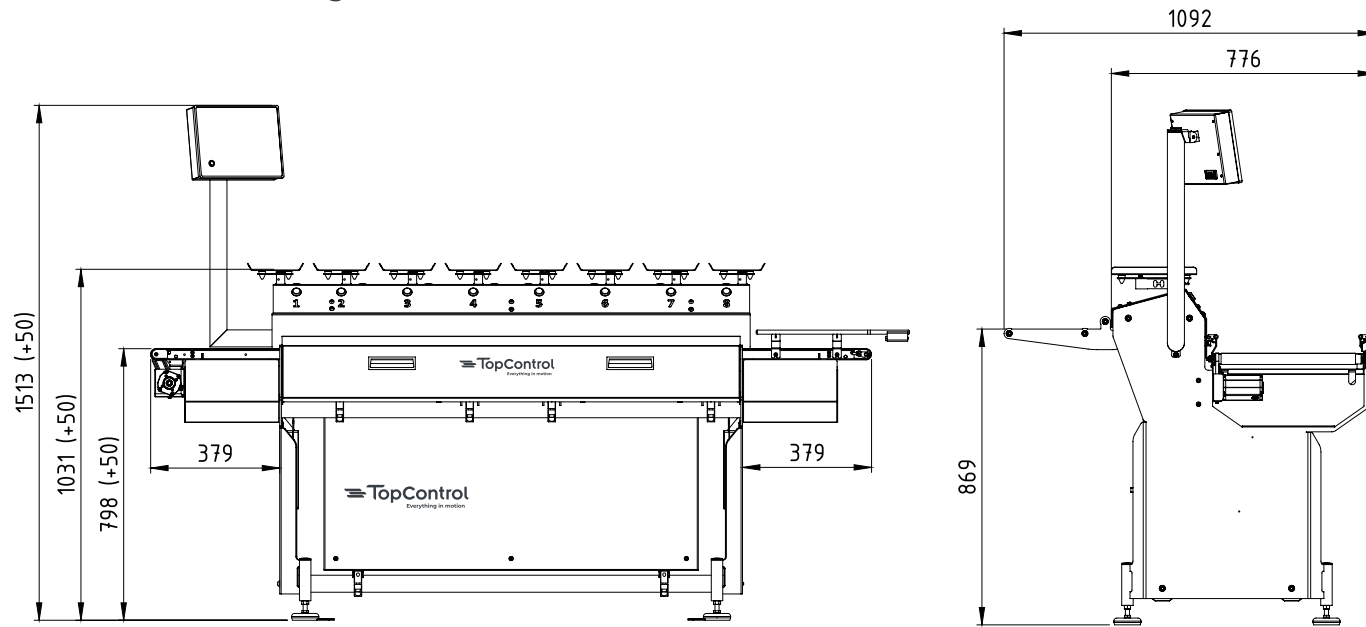


\*ergonomically height-adjustable with the optional foot extension, an additional 120 mm height is possible

# MHP 2100

Combination scale with box storage (for 8 and 10 weighing trays)

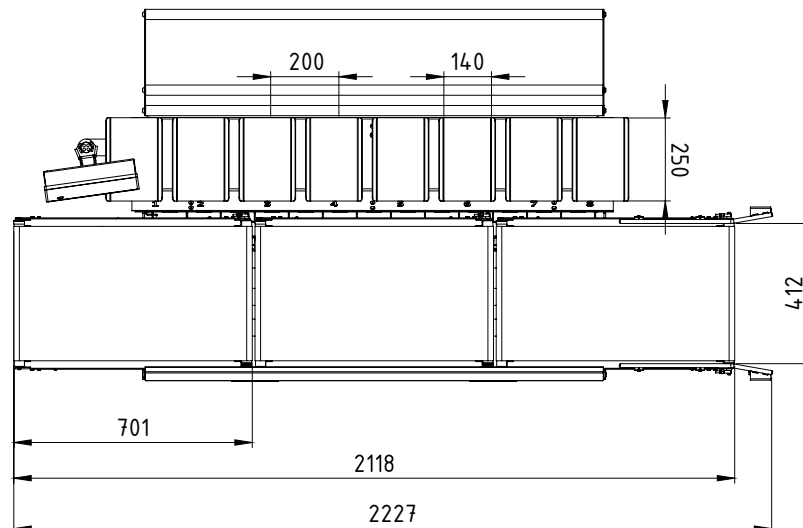
## Technical drawings



**Optimised for** medium-sized vegetables and fruit, cheese, meat and fish.



\*ergonomically height-adjustable with the optional foot extension, an additional 120 mm height is possible



Kistengröße max.	600 x 400mm
Dimensioni casse max.	600 x 400mm
Box size max.	600 x 400mm
Dimensiones cajas máx.	600 x 400mm
Dimensions caisses max.	600 x 400mm



**SSC 9200**  
Levelling scale



**RSC 9200**  
Removal scale



**IWS 3000**  
Smart weighing table



**MHP 1000**  
Combination scale



**MHP 1200**  
Combination scale



**MHP 1300**  
Combination scale



**MHP 2000**  
Combination scale



**MHP 2100**  
Combination scale



**MHP 3000**  
Combination scale



**MHP 5200**  
Automatic multibelt scale



**CWT 1000**  
Automatic checkweigher



**CWT 500**  
Automatic checkweigher for transport packaging

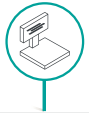


**ST A500B**  
Automatic checkweigher for transport packaging



**ST EPW310**  
Dynamic scale for bags

intelligent weighing solutions



**GLM-B-S**  
High-performance labeller



**ILS 3000**  
Labeller for transport packaging



**GLT maxx 9000**  
Labeller for transport packaging



**GPH maxx 7-8-9000**  
Pallet labeller



**ILS 3800**  
Pallet labeller

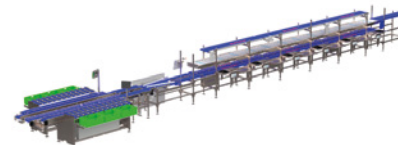


intelligent closing solutions



**ICS 1000**  
Automatic gluing machine for carton packs

intelligent labelling solutions



**IPS:** Line with 4 levels and front weighing tables and MHP 3000 semi-automatic combination scale



**IPS:** Line with 4 levels and front weighing tables, automatic checkweigher and labeller



**IPS small:** Line with 2 levels and front weighing tables and automatic checkweigher

intelligent packaging solutions



smart software solutions

